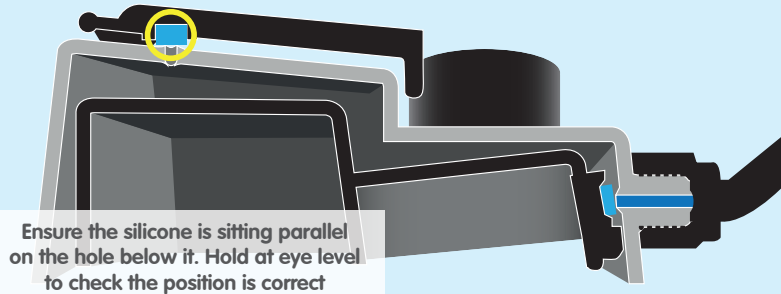


AQUAvalve5™

Simple care
guidelines



Ensuring that the AQUAvalve5 floods and drains correctly

- 1** Making sure your AQUAvalve5 floods and drains correctly is simply achieved and only takes a few seconds.
- 2** Hold the AQUAvalve5 at eye level so that you can see the silicone fitted to the top float resting on the hole below it.
- 3** The silicone must create a tight seal when touching the hole.
- 4** If it looks like it is not sitting parallel on the hole below, simply lift the top float and apply pressure to one side of the silicone, drop the float and hold at eye level again. Repeat the procedure if necessary.

Care and maintenance

- 1** At the end of your growing season, clean the AQUAvalve5 using warm soapy water. Using an old tooth brush will help.

The AQUAvalve5 is easily disassembled. The top float will slide all the way across and the bottom float is unclipped from its pivoting position. The circular discs fitted to the top float can also be removed by using pliers to grip the raised point.

At this point it is advisable to remove the silicones to avoid them being lost.
- 2** It is also handy to have a paper clip or pipe cleaner to hand so that you can push it through the AQUAvalve5 nozzle, this will remove any lime scale build up that may have occurred during the growing season.

Blowing through the AQUAvalve5 nozzle will also help to remove any build up. Do not under any circumstances use a drill & drill bit to clear the AQUAvalve5 nozzle.

This will potentially damage the AQUAvalve5 beyond repair.

Your FlexiPot 24 System set-up guidelines



Allow your
plants
to establish
before turning your
system on.



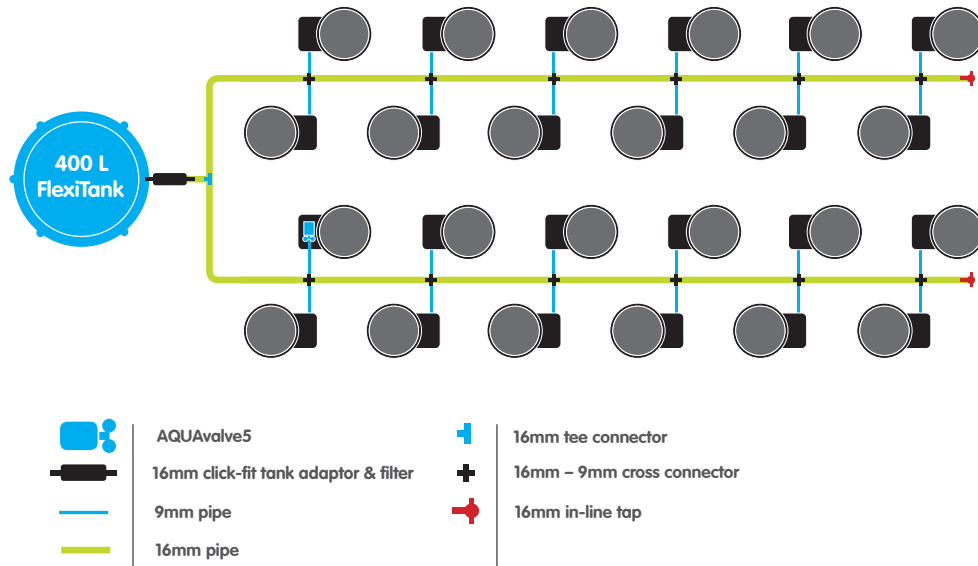
FlexiPot 24 System contents

- 1x 400 L FlexiTank (APSMART24 ONLY)
 - 24x 1Pot XL tray and lid
 - 24x 20 L fabric FlexiPot
 - 24x AQUAvalve5
 - 1x 16mm tank adapter and filter
 - 2x 16mm in-line tap
 - 24x 9mm top hat grommet
 - 12x 16 - 9mm cross connector
 - 1x 16mm tee connector
 - 10 metres of 16mm pipe
 - 16 metres of 9mm pipe
 - 24x PotSock Round
- Ref: 9mm pipe - Outside \varnothing 9mm/Inside \varnothing 7mm
16mm pipe - Outside \varnothing 16mm/Inside \varnothing 13mm

Plan views and options

Suggested layouts

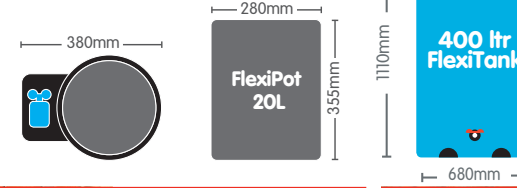
System requires minimum 400 litre reservoir



Advice

- Please note that multiple FlexiPots may increase room humidity due to the exposed surfaces of the fabric pots.
- Pot up your plants, water through, then allow your plants to establish in the pots for a period of 7 to 10 days before turning your system on. This will encourage a stronger and healthier root system.
- Always raise your reservoir to a minimum of 150mm above the highest AQUAvalve and re-fill the reservoir when there is approximately a 1/3 of the solution left - NEVER ALLOW THE RESERVOIR TO RUN EMPTY.
- With AQUAvalve5 systems mineral or organic fertilisers may be fed via the reservoir and pipework. Organic fertilisers will require a water pump in the reservoir running for 15 mins every 2 hrs and cleaning of the reservoir, pump, and filter each time the reservoir empties. Flush pipework with plain water every time the reservoir empties.
- Clean all substrate from the bottom and sides of the pots before placing in trays to ensure AQUAvalve functionality.
- Always use free draining substrates, for example: soil/perlite, coco/perlite, soil/clay pebbles, coco/clay pebbles, rockwool/clay pebbles.

FlexiPot 24 dimensions



FlexiPot 24 System setup instructions

- Fill FlexiPot with medium and pot up plants.
- Fit PotSock Round over the base of FlexiPot
Water through pot and allow to drain outside the tray. Brush off debris.
- From the outside of the module tray push the 9mm top hat grommet into the hole in the module tray wall.
- Thread approx 30cm of 9mm pipe into the tray through the grommet.
Wetting the pipe end will aid insertion.
- Remove AQUAvalve collar
Push 9mm pipe through collar and attach to AQUAvalve nozzle
Rescrew collar - **DON'T overturn...** when you feel it grip **STOP**
- Remove any slack in the 9mm pipe by drawing excess out of the tray.
- Align the 'half moon' section on the rear of the AQUAvalve with the 'T' section in the tray.
Firmly push the AQUAvalve onto the 'T'.
- Cut 9mm/16mm pipe to appropriate length
- According to the size of your system connect your 9mm/16mm pipe to relevant fitting or tank...
- Place FlexiPot in tray.
Ensure **NO FABRIC IS TOUCHING AQUAVALVE**
Place lid over valve onto tray.

Using your front instruction sheet, repeat the module set up instructions for the number of trays.

Allow your plants to establish for 7-10 days before turning system on

Advice

If you require any guidance email - mail@autopot.co.uk